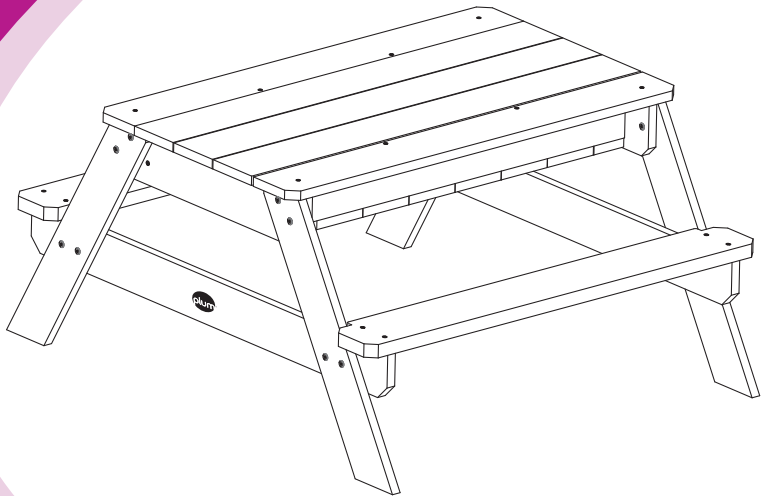




assembly instructions

plum wooden sand & picnic table

assembly requires 1 adult
(approx. 1 hour assembly time)



The mark of
responsible forestry

WARNING! Minimum user age 18 months +. Adult assembly required. Adult supervision recommended at all times. Only for Domestic use. Outdoor use only.

Warnings

Minimum user age 18 mths +
Adult assembly required
Adult supervision recommended at all times
Only for Domestic use
Outdoor use only
keep instructions for future reference

AVERTISSEMENT !

Age minimum de l'utilisateur 18 mois +
Assemblage par un adulte nécessaire
Ne jamais laisser un enfant jouer sans surveillance
Usage domestique uniquement
Destiné à l'usage externe uniquement
N'oubliez pas de garder ces instructions dans un lieu sûr pour référence ultérieure.

ACHTUNG!

Das Mindestalter für Benutzer beträgt 18 Monate +
Montage muss durch einen Erwachsenen erfolgen
Sollte nur unter unmittelbarer Aufsicht von Erwachsenen benutzt werden
Nur für den Hausgebrauch
Nur zur Nutzung im Freien geeignet
Denken Sie daran, dass Sie diese Anleitung für eine spätere Nutzung sicher aufbewahren

ATTENZIONE!

Età minima dell'utente anni.
È necessario l'assemblaggio di un adulto.
Si raccomanda sempre la supervisione di un adulto.
Solo per uso domestico.
Solo per uso esterno.
Ricordarsi di conservare le presenti istruzioni in un luogo sicuro per consultazione futura.

WAARSCHUWING!

Minimum leeftijd van gebruiker: jaar
Montage door een volwassene vereist
Toezicht van een volwassene te allen tijde aanbevolen
Alleen voor gebruik binnenshuis
Alleen voor gebruik buiten
Bewaar deze instructies op een veilige plaats zodat u ze later kunt raadplegen.

AVERTENCIA

Edad mínima del usuario 18 meses
El montaje de este juguete debe llevarlo a cabo un adulto.
Se recomienda en todo momento la supervisión de un adulto.
Utilicése exclusivamente en el ámbito doméstico.
Utilicése exclusivamente al aire libre.
Recuerde conservar estas instrucciones en un lugar seguro para poderlas consultar en el futuro.

VAROVÁNÍ!

Minimální věk uživatele je 18 let
Vyžaduje se montáž dospělou osobou
Doporučuje se po celou dobu dozor dospělé osoby
Pouze pro domácí použití
Pouze pro venkovní použití
Nezapomeňte si uschovat tyto pokyny na bezpečném místě pro potřeby budoucích odkazů

UPOZORNENIE

Minimálny vek používateľa je 18 mesiacov
Vyžaduje sa montáž dospelou osobou
Dozor dospelého osoby sa odporúča po celú dobu
Iba pre domáce použitie
Iba pre vonkajšie použitie
Nezabudnite si uschovať tieto pokyny na bezpečnom mieste pre budúce použitie

تحذير!
الحد الأدنى لعمر شهر 18
يتطلب تركيب أجزاء الجهاز شخص بالغ
ينصح بضرورة وجود إشراف دائم من كبار السن عند استخدام الجهاز.
للاستخدام الداخلي فقط
للاستخدام في الهواء الطلق فقط
أحرص على تذكر ضرورة الاحتفاظ بهذه التعليمات في مكان آمن للرجوع إليها مستقبلاً

OSTRZEŻENIE!

Minimalny wiek użytkownika: 18 miesięcy
Wymaga montażu przez osobę dorosłą
Zalecany jest stały nadzór osoby dorosłej
Tylko do użytku domowego
Tylko do stosowania na dworze
Pamiętaj, żeby niniejsze instrukcje zachować w bezpiecznym miejscu na przyszłość

ADVARSEL!

Minimum brugeralder 18 måneder
Skal samles af en voksen
Bør altid anvendes under opsyn af en voksen
Kun til hjemmebrug
Kun til udendørs brug
Husk at gemme disse vejledninger på et sikkert sted for fremtidig brug.

UYARI!

Minimum kullanıcı yaşı 18 ay
Bir yetişkin tarafından monte etmesi gerekir
Her zaman yetişkin gözetimi önerilir
Yalnızca ev kullanımı için
Yalnızca dış mekan kullanımı
İleride bakabilmek için bu açıklamaları güvenli bir yerde saklamayı unutmayın

FIGYELMEZTETÉS!

Minimális felhasználók kora 18 hónapok

Felnőtt összeszerelése szükséges

Minden alkalommal egy felnőtt felügyelete mellett ajánlott

Csak otthoni használatra

Kültéri használatra

Ne feledje, hogy ezeket az utasításokat biztonságos helyen tartsa későbbi használat esetére

Remember to keep these instructions in a safe place for future reference.

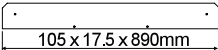
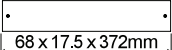

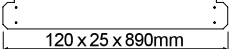
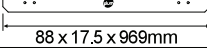
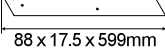
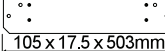
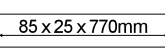
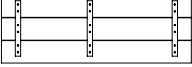

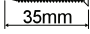
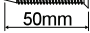
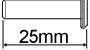
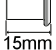

Plum Products Ltd,
The Cliff, Middle Street
Ingham, Lincolnshire, LN1 2YQ, UK
Tel: +44 (0) 344 880 5302,
Fax: +44 (0) 152 273 0379
customerservices@plumproducts.com
www.plumproducts.com

Copyright Plum Products 2013

Plum Products Australia Pty Ltd
Suite 303, 156 Military Road
Neutral Bay, NSW 2089, Australia
Tel: +61 2 8968 2200
Email: aushelpdesk@plumproducts.com
www.plumplay.com.au



PARTS LIST

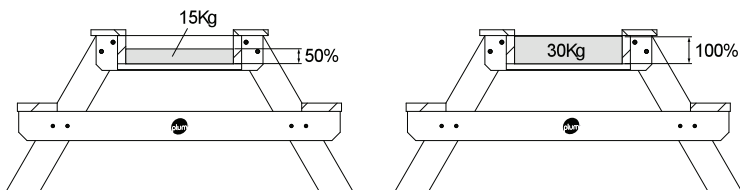
PART ID	DIMENSIONS WITH GRAPHIC	QUANTITY
D1530		2
D1531		2
D1532		6
D1533		2
D1534		2
D1535		4
D1536		2
D1538		2
D1539		1
D1541		1
M4x35mm		36
M4x50mm		16
S-H: M6x25mm		16
S-H: M6x15mm		16
ALLEN KEY		2

**TOOLS
REQUIRED:**




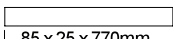
**POZI
(PZ2)**


Sand not included:

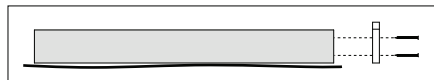
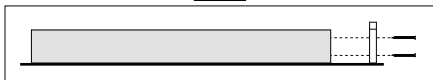
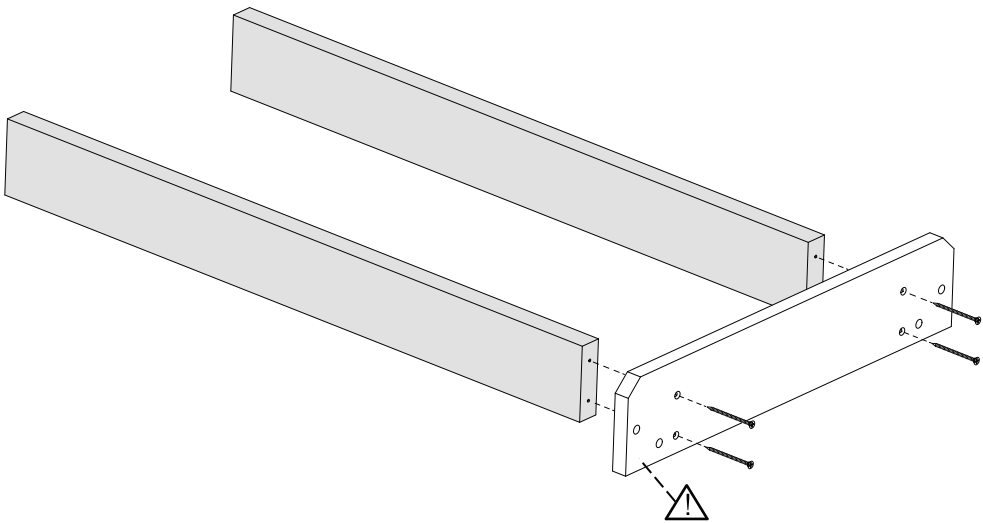


1


D1536  x1
105 x 17.5 x 503mm

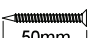
D1538  x2
85 x 25 x 770mm

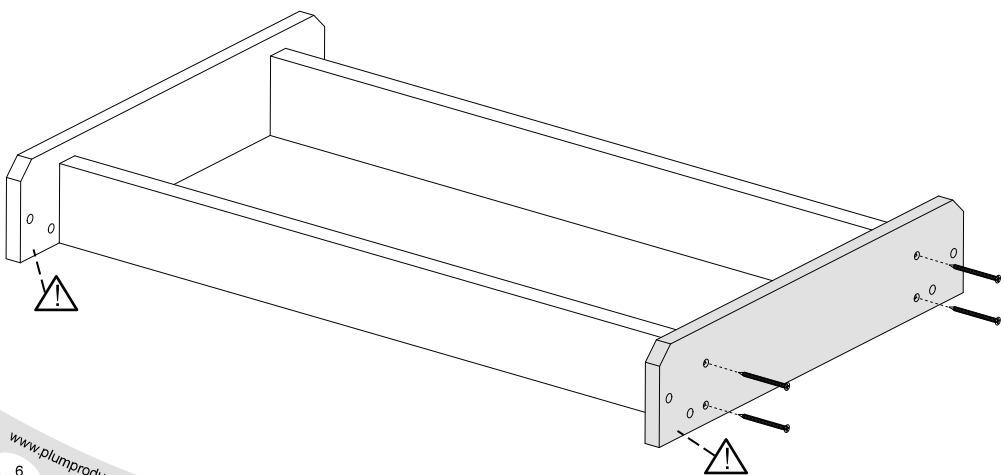
M4x50mm  x4
50mm



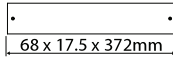
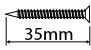
2

D1536  x1
105 x 17.5 x 503mm

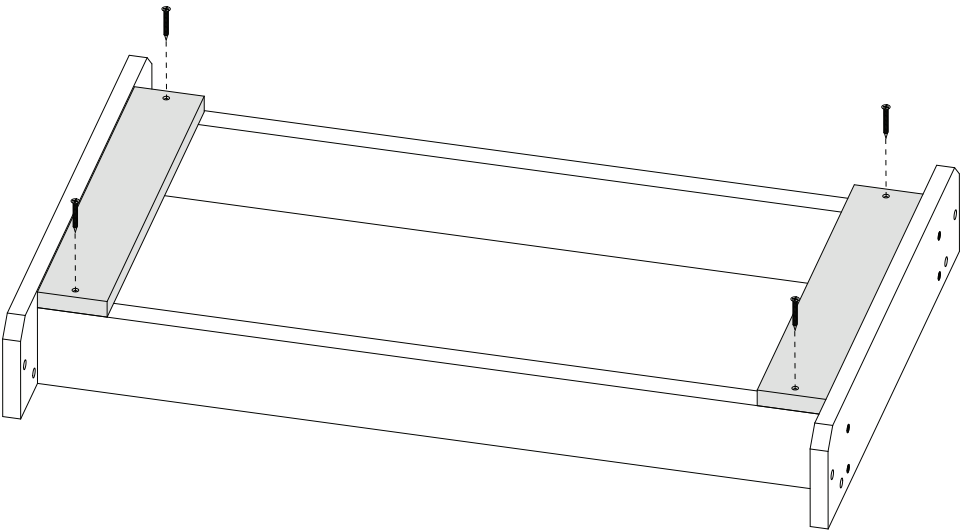
M4x50mm  x4
50mm



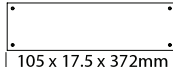
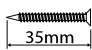
3

D1531  x2 M4x35mm  x4

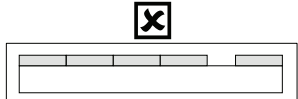
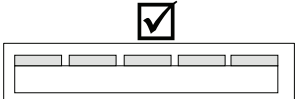
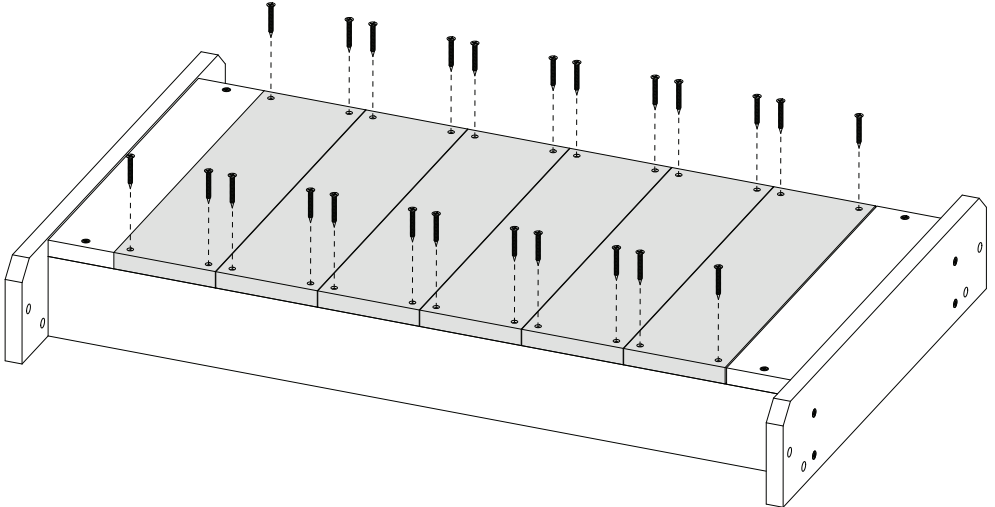
68 x 17.5 x 372mm 35mm



4

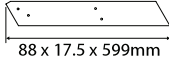
D1532  x6 M4x35mm  x24

105 x 17.5 x 372mm 35mm



5

D1535



x2

SH:M6x25mm

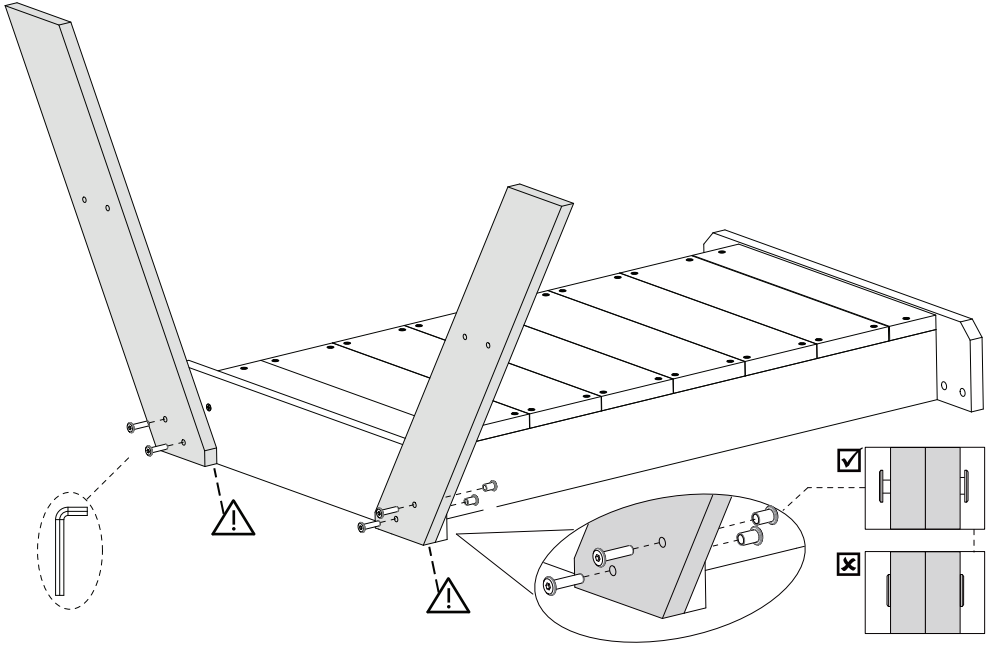


x4

SH:M6x15mm

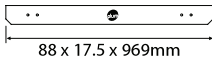


x4



6

D1534



x1

SH:M6x25mm

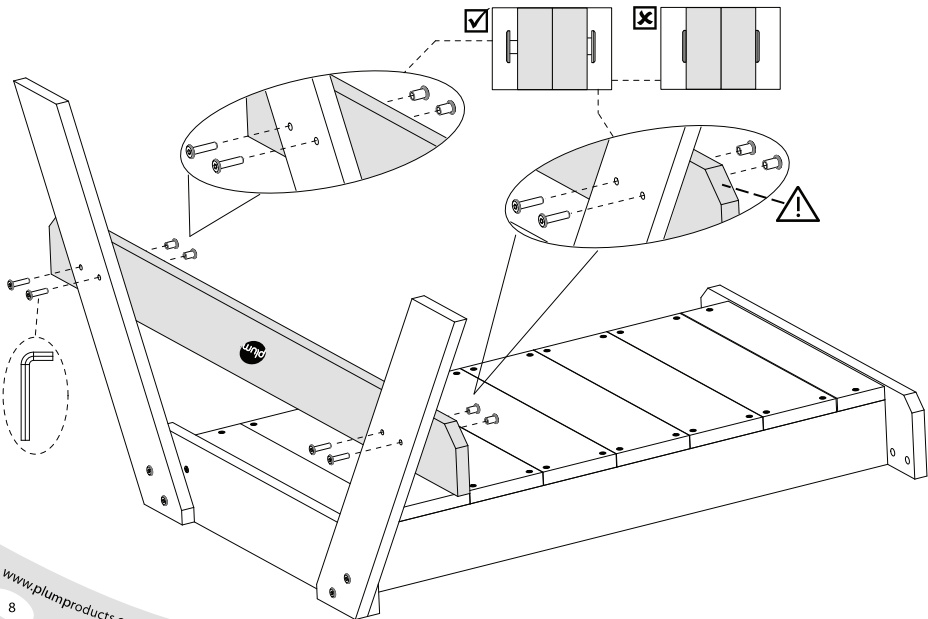


x4

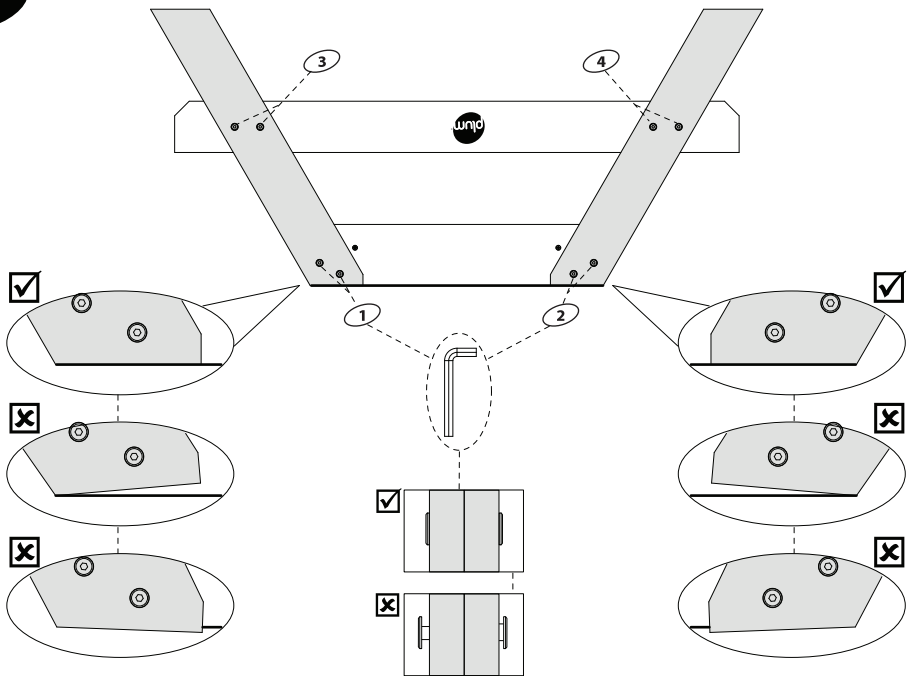
SH:M6x15mm



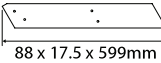
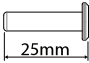

x4

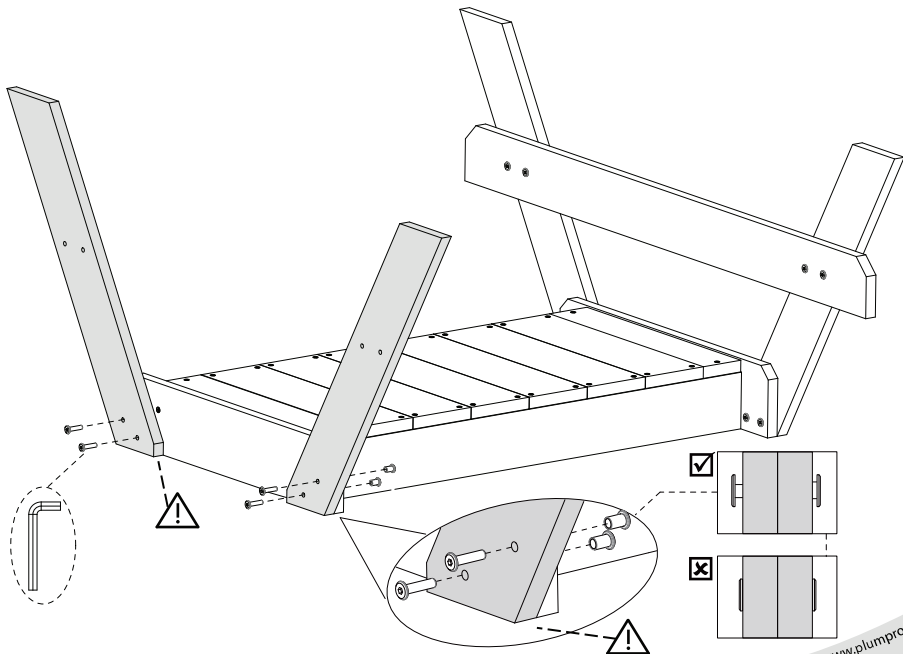


7



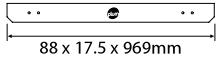
8

D1535  x2 SH:M6x25mm  x4 SH:M6x15mm  x4



9

D1534



x1

SH:M6x25mm

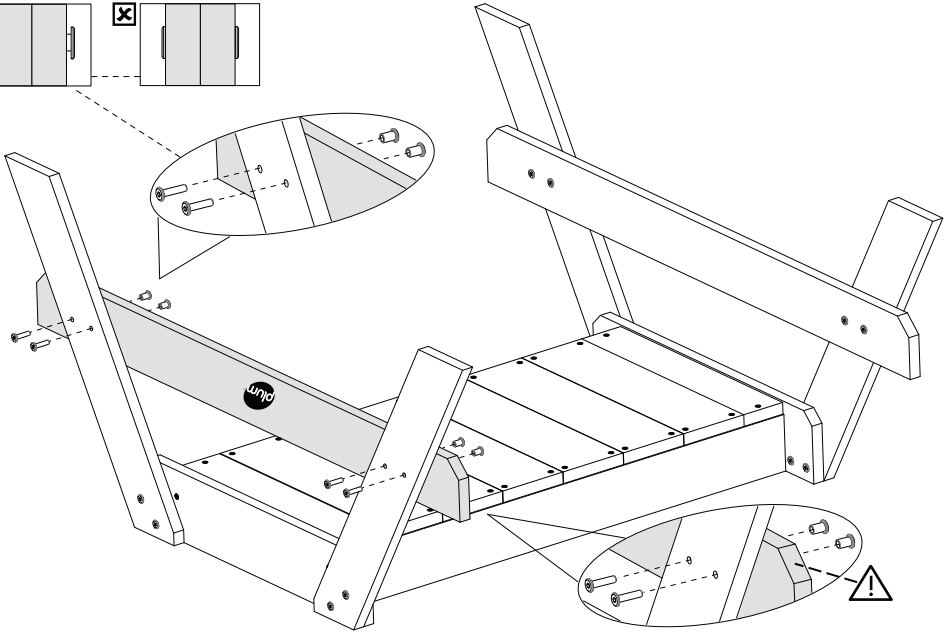
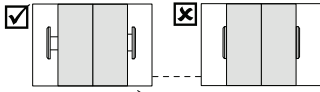


x4

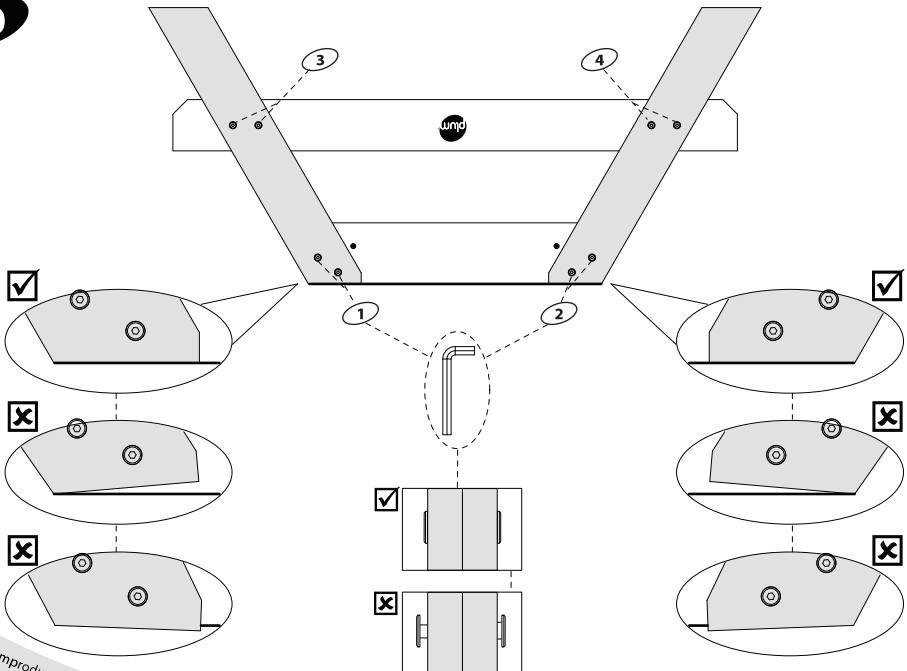
SH:M6x15mm



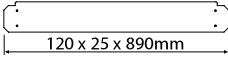
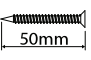
x4

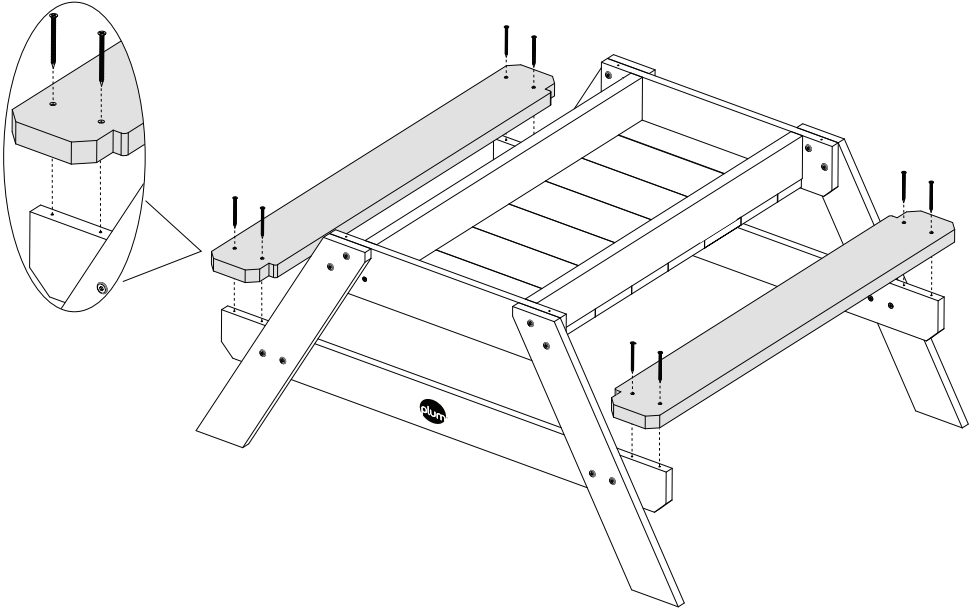


10

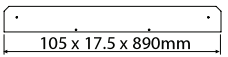



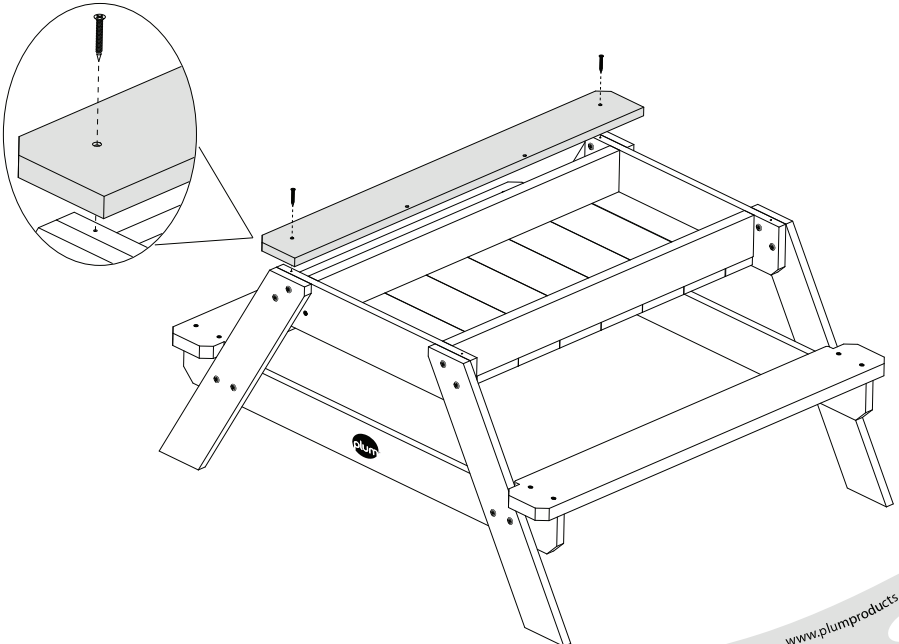
11

D1533  x2 | M4x50mm  x8



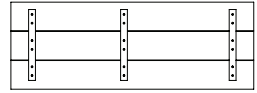
12

D1530  x1 | M4x35mm  x2

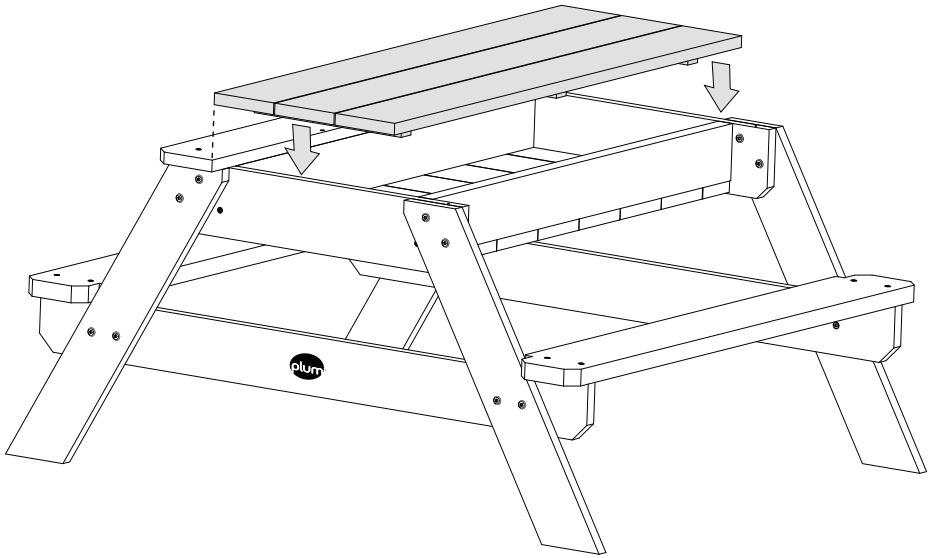


13

D1539

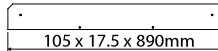


x1



14

D1530

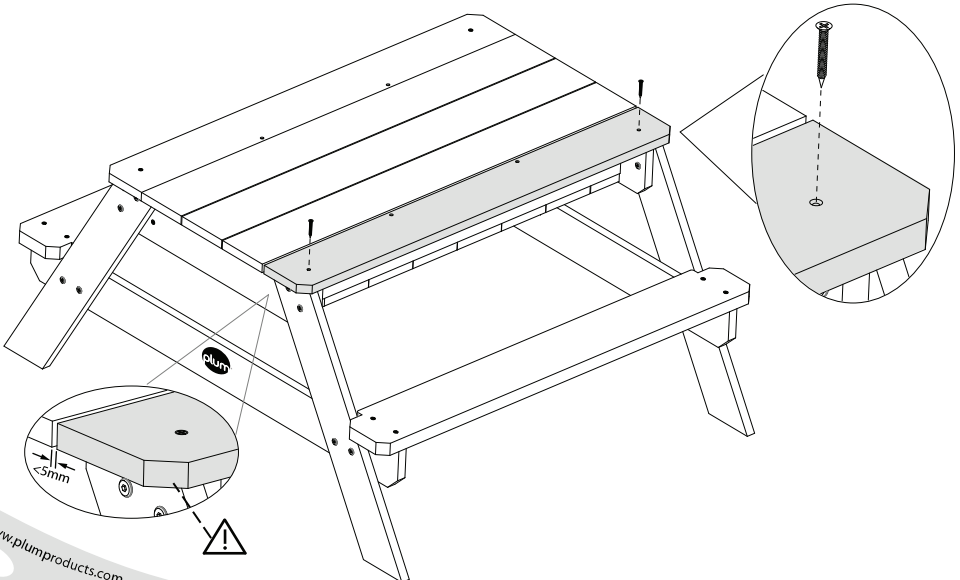


x1

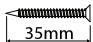
M4x35mm

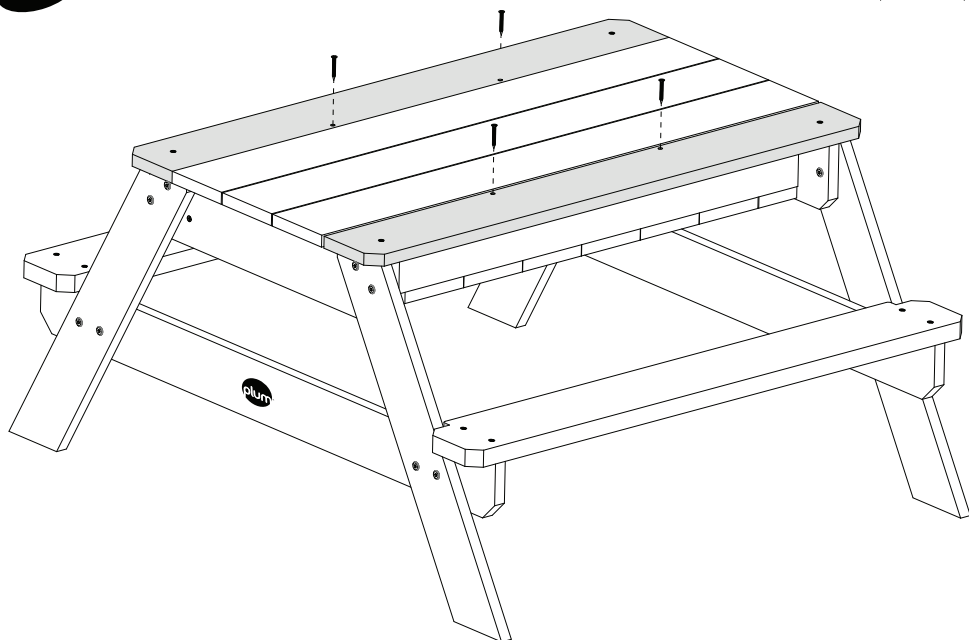


x2



15

M4x35mm  x4

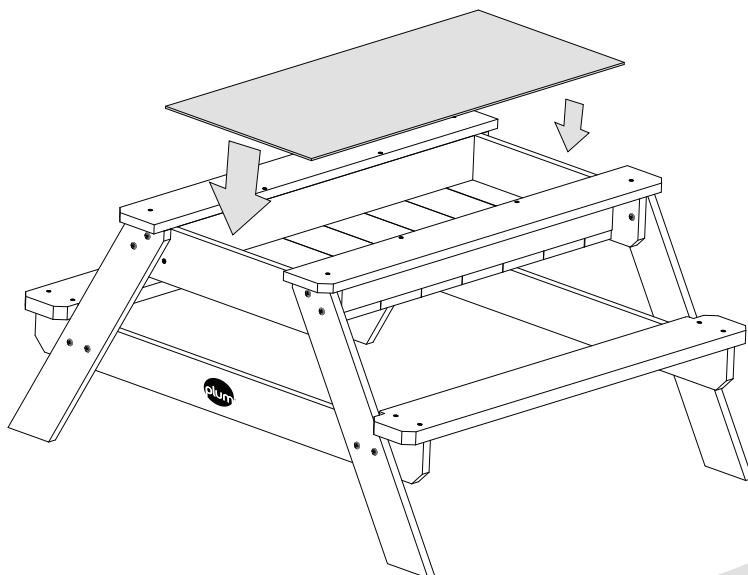


16

D1541



x1



Plum Products Outdoor Play Warranty (UK and Australia)

This product is guaranteed for 12 (twelve) months from the date of purchase against manufacturing defects. The warranty is conditional on proof of purchase being presented in the event of a claim. The warranty is registered to the original owner only and is non-transferable.

Whilst every endeavour is made to ensure the highest degree of safety in the product, it is essential to install your product correctly in accordance with installation instructions, supervise your children's play activity and maintain your play equipment periodically according to manufacturer guidelines in the Instruction Manual provided with the product.

This warranty does not cover scratching or scuffing of the product as a result of normal wear and tear and any minor defects which do not affect the functionality of the product. This product is warranted for domestic use only. Under no circumstance should the product be used in public or commercial settings such as schools or playgrounds, any such use may lead to product failure and potential injury. Any public or commercial use will render this warranty void.

The warranty shall be rendered void on products subjected to misuse, negligence, improper installation, vandalism, acts of God, unauthorised alteration, modification and/or attachment to other equipment by the customer or a third party (including the use of spares that are not genuine Plum spares) or any act or omission that would potentially render damage to the structural integrity of the product and lead to possible failure and injury.

All claims must be made within 14 days of purchase and must be accompanied by proof of purchase. Plum may reject claims which are not made within a reasonable time and/or where there is no proof of purchase. Goods covered under this limited warranty will be replaced or repaired, at our option, and returned to the customer at no cost to the customer where a claim is validated.

Plum reserves the right to examine photographs or physical evidence of goods claimed to be defective and to recover the goods prior to settling a warranty claim. These conditions do not affect your statutory rights as a consumer.

To make a claim please contact us immediately on our customer service numbers or emails below.

For UK Customers:

Telephone UK Plum Customer Services: 0344 8805302
Email: customerservices@plumproducts.com
Plum Products Ltd, The Cliff, Ingham, Lincolnshire, LN1 2YQ, UK

For Australian customers:

Telephone Australian Customer Services: 1800 900161
Email: Aushelpdesk@plumproducts.com
Plum Products Australia Pty Ltd, Suite 303, 156 Military Road, Neutral Bay, NSW 2089, Australia.

Our goods come with guarantees that cannot be excluded under the Australian Consumer Law under which you are entitled to a replacement or refund for a major failure and for compensation for any other reasonably foreseeable loss or damage. You are also entitled to have the goods repaired or replaced if the goods fail to be of acceptable quality and the failure does not amount to a major one.

Thank you for purchasing a Plum product !

Please note above warranty applies to the UK and Australia only. If you have purchased your product outside of the UK or Australia, please contact your local supplier for the purchase of spares or after sales support.